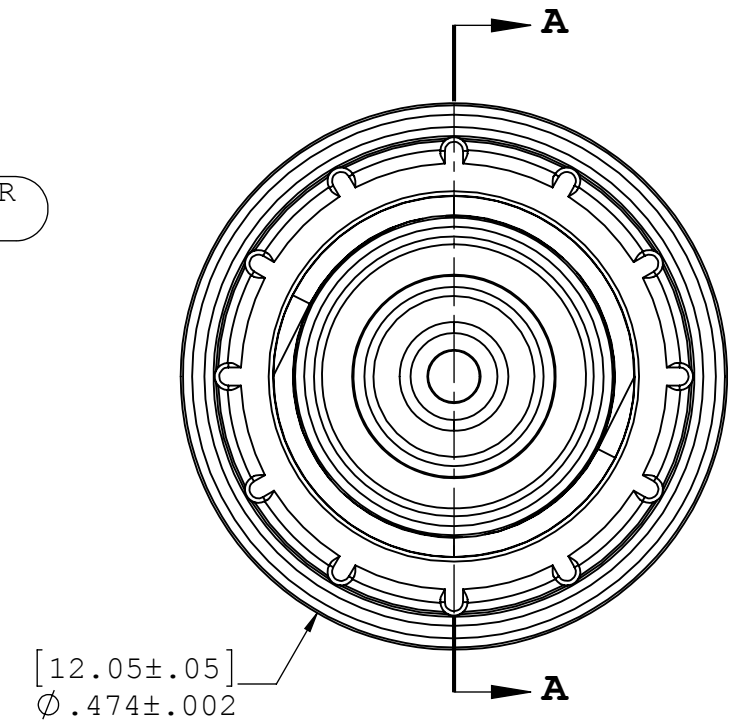
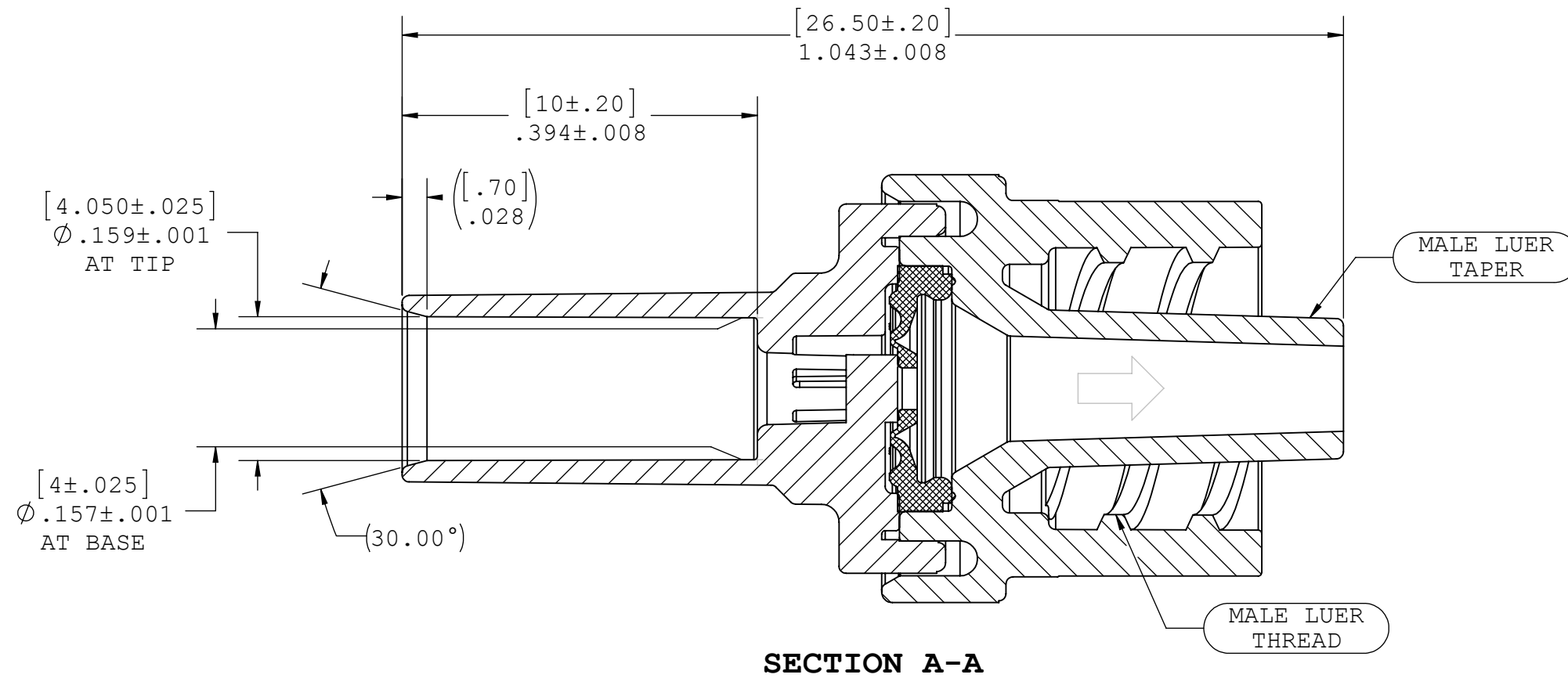
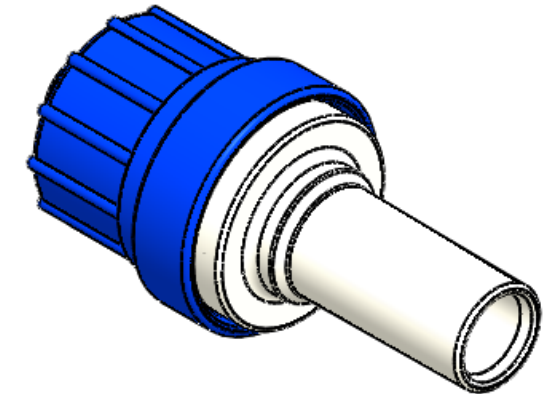


NOTES: FOR ADDITIONAL DETAILS, PLEASE CONTACT VP CUSTOMER SERVICE  
 DIMENSIONS MARKED  $\square$  ARE CONTROL DIMENSIONS

REVISIONS			
REV.	DESCRIPTION	DATE	APPROVED
A	INITIAL RELEASE	10/02/12	S.N.R



UNLESS OTHERWISE SPECIFIED DIMENSIONS ARE IN INCHES TOLERANCES ARE:		<b>VALUE PLASTICS, INC</b>			
FRACTIONS    DECIMAL    ANGULAR $\pm$ .XX $\pm$ .01 $\pm$ 1° .XXX $\pm$ .005 .XXXX $\pm$ .001  DO NOT SCALE DRAWING		PART NUMBER: SCV06248			
DESCRIPTION: Check Valve, Male Locking Luer to Socket for .161" (4.1 mm) OD to Tubing, Blue SAN and Clear MABS w/Silicone Diaphragm		DESCRIPTION: Check Valve, Male Locking Luer to Socket for .161" (4.1 mm) OD to Tubing, Blue SAN and Clear MABS w/Silicone Diaphragm			
DRAWN BY: kyles	DATE: 11/1/2012	SIZE: <b>B</b>	SCALE: NTS	VER: 	DWG. NO. 1024691
MANAGER: RaviN		© 2011 VALUE PLASTICS, INC			REV A
SHEET: 1 OF 1					

**FOR REFERENCE ONLY**